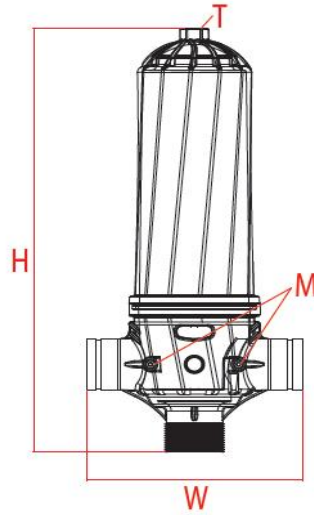


PLASTIC DISC FILTER



TECHNICAL SPECIFICATIONS

Product Code	Size	H (mm)	W (mm)	M (inch)	T (inch)	Operation Pressure (Bar)	Flow Rate (capacity) (m3/h)	Filtering Area (cm2)	Filter Weight (gr)	Filtering Element
PDN-20	2"	630	340	1/4	3/4	10	30	1220	7900	Disc
PDL-20	2"	740	340	1/4	3/4	10	35	1690	8250	Disc
PDN-25	2,5"	630	340	1/4	3/4	10	40	1220	7000	Disc
PDL-25	2,5"	740	340	1/4	3/4	10	45	1690	8200	Disc
PDN-30	3"	630	340	1/4	3/4	10	50	1220	6900	Disc
PDL-30	3"	740	340	1/4	3/4	10	55	1690	8070	Disc

PLASTIC DISC FILTER



TAHLİYE

Tahliye Vanası veya hava vantuzu bağlantısı.
3/4 Dişi çıkış.
DISCHARGE
Connection of discharging and air release valve.
3/4 Female outlet.

GÖVDE

Sağlamlaştırılmış polyamid enjeksiyon gövde.
10 bar çalışma basıncı.
BODY
Made of strengthen polyamid injection body.
10 bar operating pressure.

KELEPÇE

304 paslanmaz krom kelepçe.
Temizlik için kolay açılma özelliği.
CLAMP
304 Chrome Clamp.
Simple clamp opening for disc cleaning.

ACRV plastic filters are produced from high quality plastic raw materials resistant to UV beams and chemicals in disc filtering feature for agricultural and industrial use purposes. Plastic filters warrants a high performance cleaning in agricultural and industrial water filtration systems.

- Easy cleaning specification due to ergonomic design.
- Simple observing of pressure loss and filter dirtiness by the means of manometers on the filter.
- Filters have one inlet and two outlets and they are available in threaded and vicalic connection alternatives.
- Filters provides hydrocyclonic filtering by giving cyclic movement to water by the means of HELIX system.
- Hydrocyclonic filtering extends the discs lifetime. Ensures a high efficient filtering by discharging the sands, muds, inorganic particles, etc.