

427B AG, 427B GAG



427B GAG



427BAG

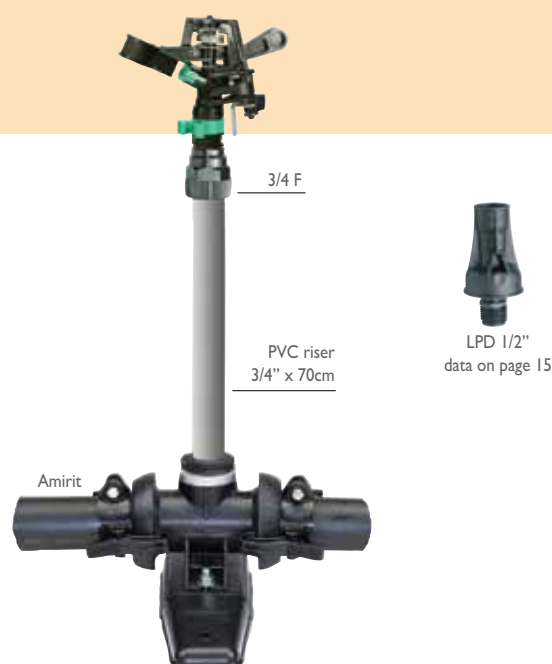
IrriStand systems

Plastic impact sprinkler

1/2" male or 3/4" female mounted on riser

Applications: Specifically designed for irrigation of field edges

- Spacing up to 14 m
- Color-coded bayonet nozzles for easy service
- Integrated stream-straightening vane for maximum range
- High-impact, heavy-duty plastic materials provide resistance to corrosion, chemicals and UV radiation
- WP - Hammer ensures all water inside pattern and prevents irrigating roads and neighbors.



427B AG & 427B GAG PERFORMANCE TABLE

Nozzle color (mm)	P (bar)	Q (m ³ /h)	D (m)
3.0 Red	2.0	0.510	23
	3.0	0.630	24
	4.0	0.720	25
3.2 Green	2.0	0.570	23
	3.0	0.700	24
	4.0	0.810	26
3.5 Blue	2.0	0.660	23
	3.0	0.810	24
	4.0	0.930	26
4.0* Black	2.0	0.850	24
	3.0	1.030	26
	4.0	1.180	26

*Standard nozzle

* Performance table prepared under laboratory conditions

* For windy conditions use closer spacing

