

FertiOne™ Plus

OVERVIEW

The FertiOne™ Plus is a plug-and-play, fully configurable, simple-to-operate two-channel fertilizer/acid dosing unit offering a perfect Nutrigation™ solution for open field sites fitted with electricity where injection of up to two fertilizer solutions is needed.

It ensures the highest efficiency with minimum investment - a highly cost-effective solution for Nutrigation™.

The FertiOne™ Plus can be connected to any external 24VAC controller to meet a vast range of Nutrigation™ needs with higher accuracy while economizing resources (fertilizer, water and energy).

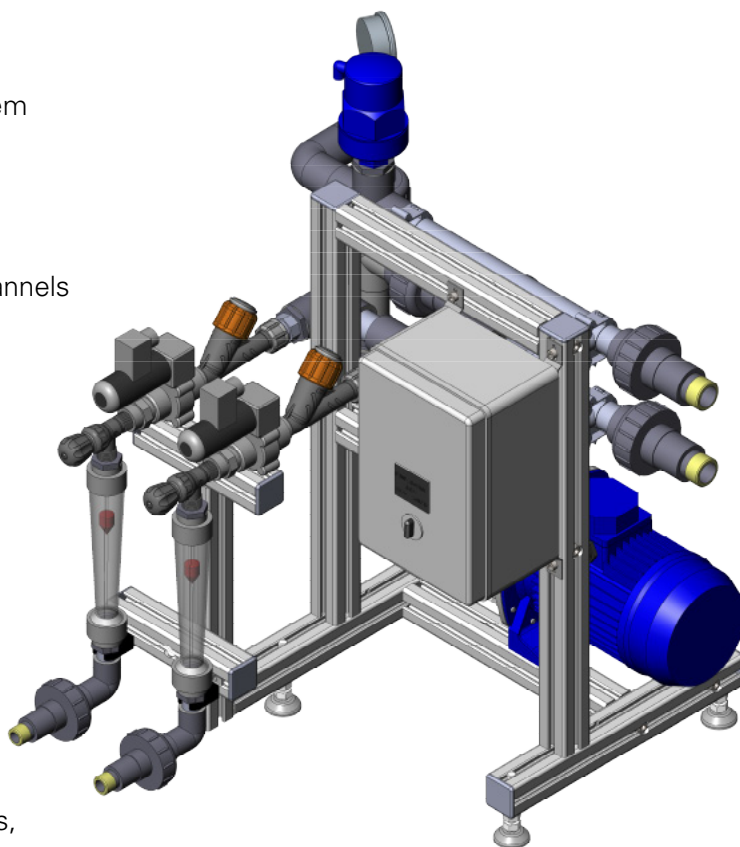
The FertiOne™ Plus accommodates two 158 GPH (600 l/h) electric dosing channels for fertilizer or diluted acid.

HIGHLIGHTS

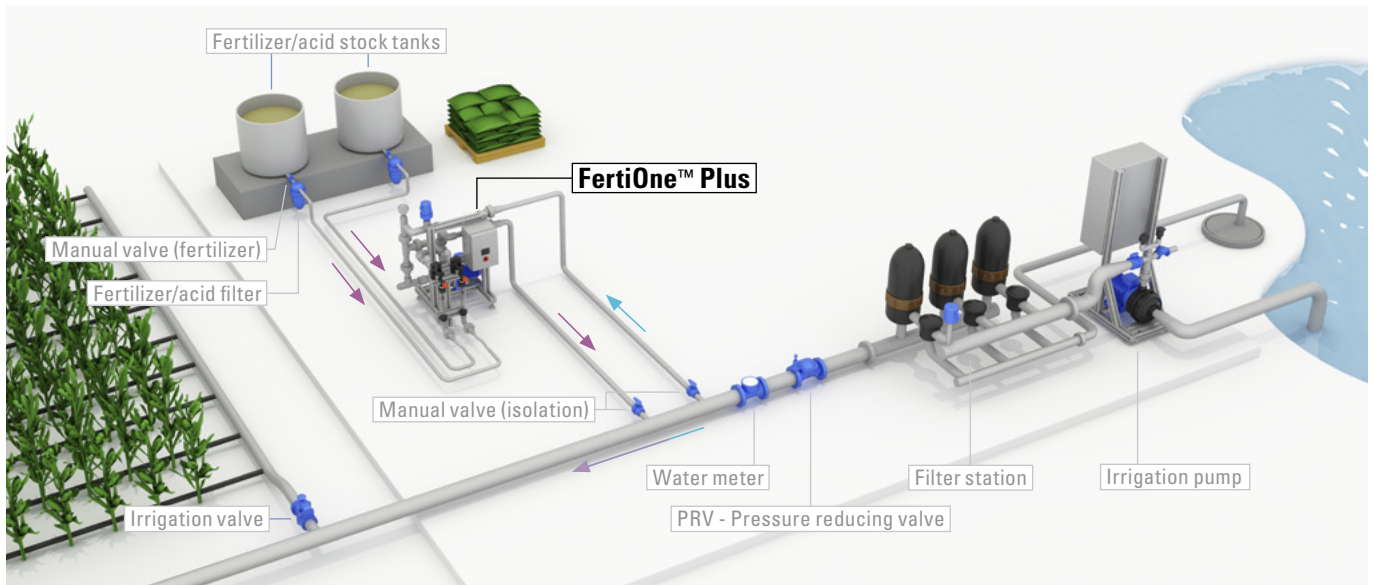
- Integrates easily into any existing irrigation system
- Venturi operating principle - few moving parts
- Schedule 80 PVC pipe and fittings
- Supports up to 80 PSI main line pressure
- 2 x 158 GPH (600 l/h) 24VAC electric dosing channels with manual override
- 220 / 440VAC 3-phase pump with on-board motor protection and 24VAC remote start relay
- Visual flow meters and adjustable needle valves for accurate dosing control
- Aluminum, corrosion resistant frame with adjustable legs

BENEFITS

- A Nutrigation™ system for soil applications with minimum investment
- Easy installation and maintenance
- Broad application coverage, including open fields, orchards, etc.
- Highly profitable price/performance ratio
- The FertiOne™ Plus can be connected to NMC and other 24VAC controllers for advanced Nutrigation™ control.
- Made by Netafim™



TYPICAL INSTALLATION



INCLUDED COMPONENTS

- 2 Venturi operated dosing channels
- Quick-action 24VAC dosing valves
- Pressure gauge
- Stainless steel dosing booster
- Continuous acting air vent
- Check valve
- Dosing booster switchbox with motor protection
- Visual flow meters with adjustable needle valves
- Wide range of integrated accessories and peripherals
- High-quality components and SCH 80 PVC piping
- Aluminum, corrosion-resistant frame with adjustable legs

Model	Voltage (V)	Current (A)	Power consumption		Cat. No.
			kW	HP	
Low pressure	3 X 440	2.2-2.2	0.95	1.28	33250-000600
High pressure		3.3-2.9	1.35	1.81	33250-000601

FERTILIZER METERS (OPTIONAL)

An optional kit of 2 fertilizer meters is available (**Netafim Cat No.:** 33241-000001).

Advantages

- High level of accuracy, $\pm 2\%$.
- Only one moving part, the impeller, is in contact with the liquid for minimum wear and the utmost reliability.
- Magnetically driven sealed register is guaranteed not to accumulate moisture or fog.
- Dry contact electrical output driven by a magnetic coupling that activates a reed switch creating a pulsed output for communicating with control and monitoring equipment.
- Corrosion resistant plastic components.
- PVC body is an angle type multi-jet meter.
The multi-jet design assures an equally distributed load on the impeller minimizing wear and maintaining accuracy.
- No straight pipe installation requirements.
- Easy one-step installation.

